

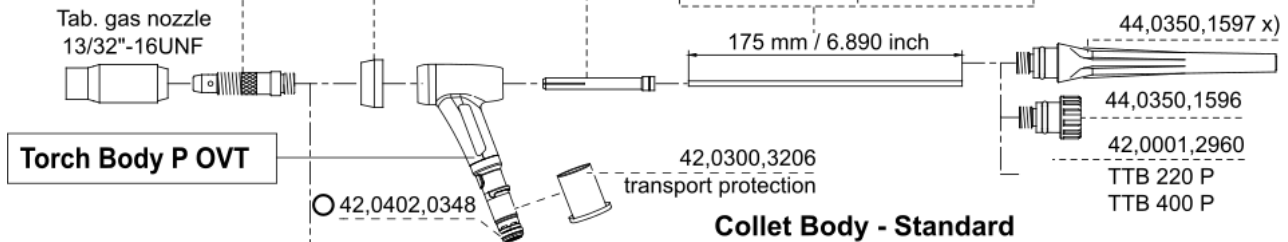
TTB 400P W ML /70°/L65

44,0350,4414

TTB 400P W ML/70°/L65 (44,0350,4414)

Standard

Part No. collet body	Part No. head ring	Part No. collet	Part No. electrode WC20	Part No. electrode WP	Part No. electrode WS2	Electrode	
						mm	inch
42,0001,3032	42,0100,0408 x)	42,0001,1057	42,0411,4012			1,0	.039
42,0001,3033		42,0001,1058	42,0411,4001	42,0411,4008	42,0411,0161	1,6	.063
42,0001,0644		42,0001,0682	42,0411,0404	42,0411,0214	42,0411,0215	2,0	.078
42,0001,3034 x)		42,0001,1071 x)	42,0411,4002 x)	42,0411,4005	42,0411,0162	2,4	.094
42,0001,3035		42,0001,1127	42,0411,4003	42,0411,4006	42,0411,0163	3,2	.126
42,0001,3036		42,0001,1128	42,0411,4013	42,0411,4007	42,0411,0164	4,0	.157



Collet Body - Standard

gas nozzle ceramic screwable 13/32"- 16UNF	d1		d2		L1		Part No.
	mm	inch	mm	inch	mm	inch	
	6,5	.256	18,0	.709	47	1.850	42,0300,2276
	8,0	.315	18,0	.709	47	1.850	42,0300,2277
	9,5	.374	18,0	.709	47	1.850	42,0300,2278 x)
	11,0	.433	18,0	.709	47	1.850	42,0300,2279
	12,5	.492	18,0	.709	47	1.850	42,0300,2280
	16,0	.630	21,0	.827	47	1.850	42,0300,2281
	19,5	.768	23,5	.925	50	1.969	42,0300,2282
	8,0	.315	18,0	.709	76	2.992	42,0300,2283
	9,5	.374	18,0	.709	76	2.992	42,0300,2284
	11,0	.433	18,0	.709	76	2.992	42,0300,2285

Collet Body-Large

Part No. collet body	Electrode	
	mm	inch
42,0001,0560	2,0	.078
42,0001,2862	2,4	.094
42,0001,2863	3,2	.126
42,0001,2864	4,0	.157

X) standard equipment

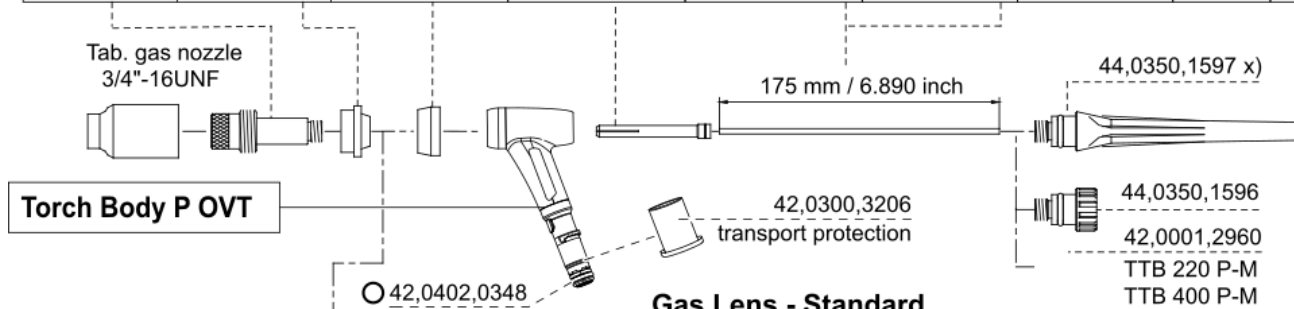
Collet Body - Large

gas nozzle ceramic screwable 3/4"- 16UNF	d1		d2		L1		Part No.
	mm	inch	mm	inch	mm	inch	
	6,5	.256	24,5	.965	42	1.654	42,0300,2009
	8,0	.315	24,5	.965	42	1.654	42,0300,2010
	9,5	.374	24,5	.965	42	1.654	42,0300,2011
	11,0	.433	24,5	.965	42	1.654	42,0300,2012
	12,5	.492	24,5	.965	42	1.654	42,0300,2013
	8,0	.315	24,0	.945	76	2.992	42,0300,2273
	9,5	.374	24,0	.945	76	2.992	42,0300,2274
	9,5	.374	24,0	.945	59,1	2.327	42,0300,2826
	11,0	.433	24,0	.945	76	2.992	42,0300,2275

TTB 400P W ML/70°/L65 (44,0350,4414)

Standard

Part No. gas lens	Part No. insulation ring	Part No. head shield	Part No. collet	Part No. electrode WC20	Part No. electrode WP	Part No. electrode WS2	Electrode \varnothing	
							mm	inch
44,0350,1595	42,0100,0401	42,0100,0408 x)	42,0001,1057	42,0411,4012			1,0	.039
44,0350,1362			42,0001,1058	42,0411,4001	42,0411,4008	42,0411,0161	1,6	.063
44,0350,0645			42,0001,0682	42,0411,4004	42,0411,0414	42,0411,0215	2,0	.078
44,0350,1363			42,0001,1071 x)	42,0411,4002 x)	42,0411,4005	42,0411,0162	2,4	.094
44,0350,1364			42,0001,1127	42,0411,4003	42,0411,4006	42,0411,0163	3,2	.126
44,0350,1365			42,0001,1128	42,0411,4013	42,0411,4007	42,0411,0164	4,0	.157

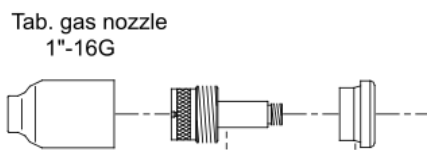


Gas Lens - Standard

X) standard equipment

gas nozzle ceramic screwable 3/4"- 16UNF	d1		d2		L1		Part No.
	mm	inch	mm	inch	mm	inch	
	6,5	.256	24,5	.965	42	1.654	42,0300,2009
	8,0	.315	24,5	.965	42	1.654	42,0300,2010
	9,5	.374	24,5	.965	42	1.654	42,0300,2011
	11,0	.433	24,5	.965	42	1.654	42,0300,2012
	12,5	.492	24,5	.965	42	1.654	42,0300,2013
	8,0	.315	24,0	.945	76	2.992	42,0300,2273
	9,5	.374	24,0	.945	76	2.992	42,0300,2274
	9,5	.374	24,0	.945	59,1	2.327	42,0300,2826
	11,0	.433	24,0	.945	76	2.992	42,0300,2275

Gas Lens - Large



Part No. insulation ring	Part No. collet body	Electrode \varnothing	
		mm	inch
42,0100,0402	42,0001,3027	1,0	.039
	42,0001,3028	1,6	.063
	42,0001,0646	2,0	.078
	42,0001,3029	2,4	.094
	42,0001,3030	3,2	.126
	42,0001,3031	4,0	.157

Gas Lens - Large

gas nozzle ceramic screwable 1"- 16G	d1		d2		L1		Part No.
	mm	inch	mm	inch	mm	inch	
	9,5	.374	30,3	1.193	48	1.890	42,0300,2247
	12,5	.492	30,3	1.193	48	1.890	42,0300,2248
	16,0	.630	31,0	1.220	48	1.890	42,0300,2249
	19,0	.748	31,0	1.220	48	1.890	42,0300,2250